

TWF.ACA.54

Aluminium Casement Primo Series

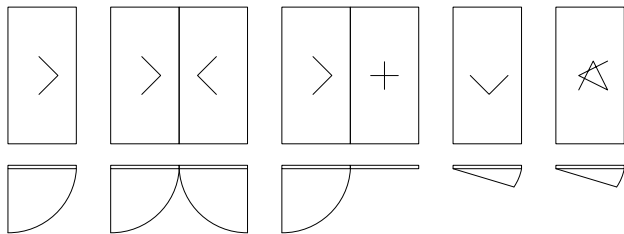


TWF.ACA.54. is a Non-thermal system designed to fulfil the needs of both inward and outward opening windows with a modular appearance and top of the line performance criteria. The system's development was driven by the need for best in class performances in terms of thermal insulation, water tightness as well as sound reduction.

With option up to 40mm glass, it provides the freedom to integrate blinds within the system eliminating the need of curtains.

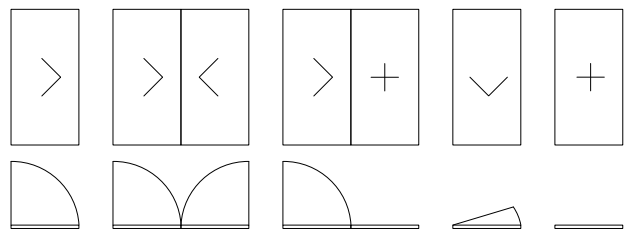
System Typology

Inward Opening :



TWF.ACA.54

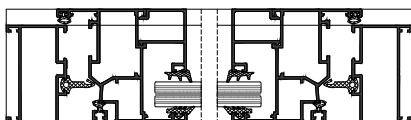
Outward Opening :



Features	
Maximum Aperture	900mm X 2400mm
Maximum Sash Weight	90 Kgs
Configuration	Inward Opening, Tilt & Turn & Fixed
Glass Thickness	5mm - 40mm
Locking	Multi Point
Handle	Multi Point (projected)
Thermal Break	No
Fly mesh	Additional Pleated Mesh (Optional)
Automation	Yes (Optional)
Sound Reduction	Up to 37 dB

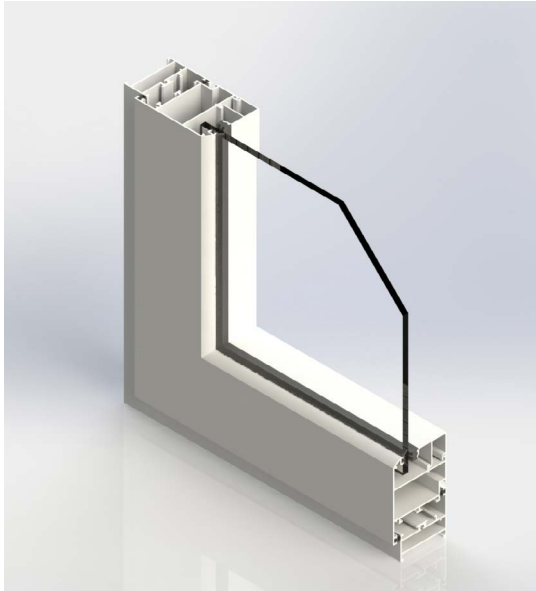
Technical Specification	
Frame Width	54mm
Type of Hinges	Friction Hinges, Bridge Hinges
Aperture Area to Glass Area Ratio	Upto 75%

* Above data is for reference purpose only. It is advisable to take prior confirmation from our design team before placing any order.



TWF.ACA.50

Aluminium Casement Candido Series



Features

Maximum Aperture	900mm X 2400mm
Maximum Sash Weight	80 Kgs
Configuration	Inward Opening, Outward Opening, Top Hung, Tilt & Turn, Fixed
Glass Thickness	5mm - 40mm
Locking	Single Point & Multi Point
Handle	Single Point (projected) Multi Point (projected)
Thermal Break	No
Fly mesh	Additional Pleated Mesh (Optional)
Automation	Yes (Optional)
Sound Reduction	Up to 35 dB

TWF.ACA.50 is a non-insulated window system suitable for use on both outside and inside opening. The mechanism designed in a manner where no hardware/hinges is seen on the inside except the projected handle, giving a very finished and clean look.

This aesthetically pleasing design can be customised in to a wide variety of style and configuration to suite any requirement.

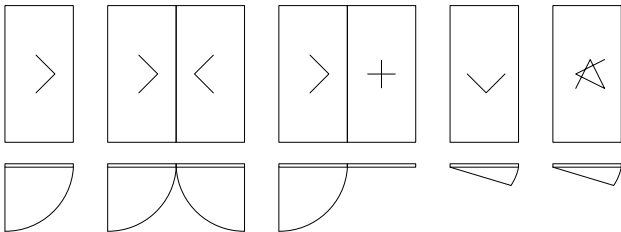
Technical Specification

Frame Width	50mm
Type of Hinges	Friction Hinges, Bridge Hinges
Aperture Area to Glass Area Ratio	Upto 75%

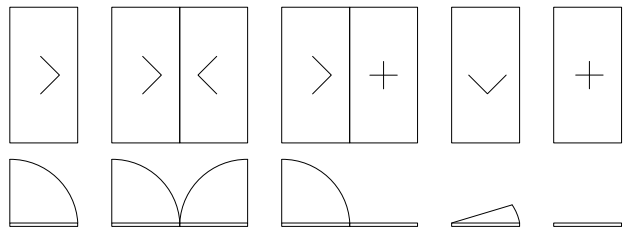
* Above data is for reference purpose only. It is advisable to take prior confirmation from our design team before placing any order.

System Typology

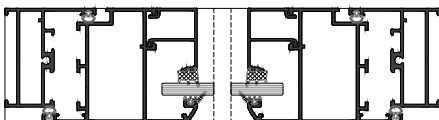
Inward Opening :



Outward Opening :

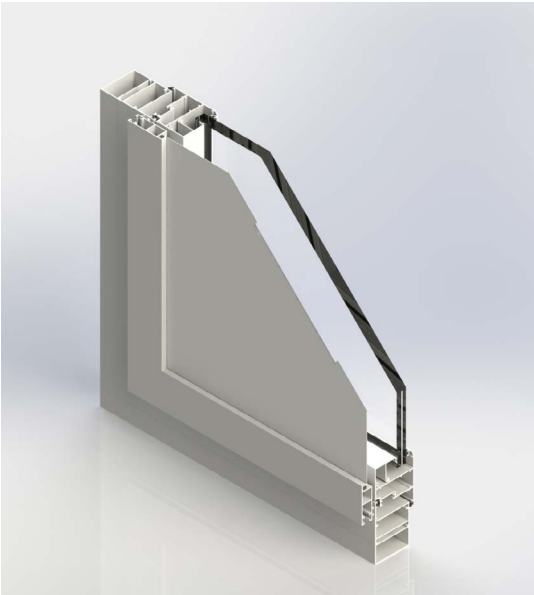


TWF.ACA.50



TWF.ACA.50.OS

Aluminium Casement OS Primo Series



TWF.ACA.50.OS is a 50mm casement window with a restricted opening of 8 inches, majorly used in places where only basic ventilation is required such as washrooms, store areas etc. The handle, in this system is integrated in the frame, which allows the magnetic fly screen to stay permanently on the opening.

Features

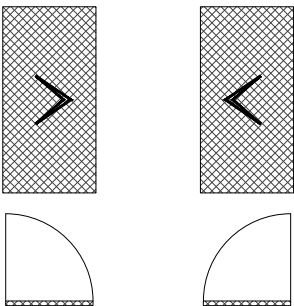
Maximum Aperture	900mm X 2000mm
Maximum Sash Weight	75 Kgs
Bottom Track Concealed	Can be Concealed with respect to flooring*
Glass Thickness	6mm - 32mm
Locking	Multi Point
Handle	Multi Point (projected)
Thermal Break	No
Fly mesh	Yes (Magnetic Mesh)
Automation	Yes (Optional)
Sound Reduction	Up to 28 dB

Technical Specification

Frame Width	50mm
Type of Hinges	Friction Hinges, Bridge Hinges
Aperture Area to Glass Area Ratio	Upto 80%

* Above data is for reference purpose only. It is advisable to take prior confirmation from our design team before placing any order.

System Typology



TWF.ACA.50.OS

